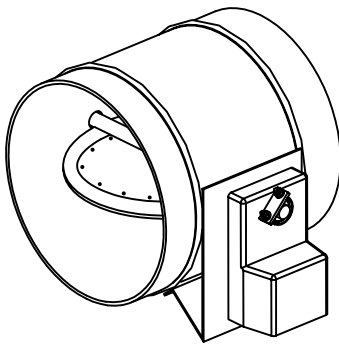
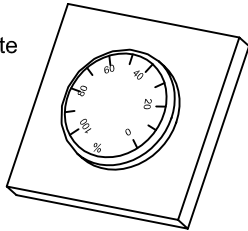


**Application and Design:**

The United Energetech "Electric Remote Control System" was developed as an alternative to manual cable remote systems. It provides personal convenience and a positive means of individual room or zone air flow. In addition, outside air intake or exhaust can be controlled. It allows 0 to 100% airflow control. The system is composed of an electric wall controller and matching actuator. A single controller will operate up to 10 actuators at up to 3000 feet away. All United Energetech dampers and adjustable louvers are available with this option.

Wall Remote controller



Model RI-ERC-LM Shown

**Add suffix to any damper or adjustable louver to add this system, or order system and add it to your damper.**

**Suffixes:**

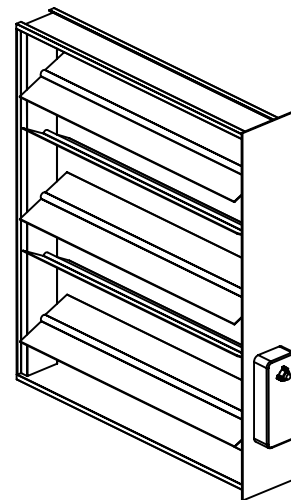
- ERC LM = standard up to 8 sq. ft. with blade and jamb seals
- ERC NM = Up to 18 sq. ft. with blade and jamb seals
- ERC AM = Up to 40 sq. ft. with blade and jamb seals
- ERC GM = Up to 70 sq. ft. with blade and jamb seals

**Standard Specifications:**

- 24 vac operation
- Standard actuator will operate up to 8 sq. ft. with blade and jamb seals.
- Up to 10 actuators on 1 controller
- Capable of operating damper up to 3000 ft. away
- 0 - 100% accuracy ; knows where damper is positioned
- Only needs 3 wires (not included)
- Wide variety of mounting options
- Can open bypass damper in same proportion
- Use as a minimum positioner for 2-10 VDC systems

**Options:**

- Torque ratings up to 310 in. / pound
- Nema 4 housing
- Supplied with mounted and enclosed transformer
- Weather shield



Model CD-100-ERC Shown

Job Name:	<b>Electric Remote Control Systems</b>		
Location:			
Architect:	DRAWN BY: CLJ	DATE: 9-1-01	REV. DATE: 8-3-06
Engineer:	REV. NO. 9	APPROVED BY: BGT	DWG. NO.: D-10
Contractor:			