

STICKTITE ACCESS DOOR

AMCA STANDARD 500-89

INDEPENDENT LABORATORY TEST	
Method per AMCA Standard 500-89	
Set Up: Figure 5.4	
Flow Measurement: Figure 6.3	
Test Size: 14 x 14 [355.6 x 355.6]	
RESULTS:	
S.P. (" w.g.)	CFM/S.F. LEAKAGE
1.00	0
2.00	0
4.326	0
6.077	1.0
8.344	1.0
10.301	1.5

Sizes Available: 6 x 6 thru 24 x 24
 [152.4 x 152.4] thru [609.6 x 609.6]

Suggested Specifications:

Access duct doors in the system shall be United Energetech Model O-95-C or H (cam or hinge) for external duct insulation and L-95-C or H (cam or hinge) for internal insulated ducts. The series 95 shall have a self-adhesive backed flange and pre-drilled screw holes for a complete installation. The series 95 shall have been tested by an independent laboratory under Standard 500-89, set-up fig. 5.4, flow measurement fig. 6.3, based on a 14 x 14 [355.6 x 355.6] test sample.

FRAME:

- .063" Extruded Aluminum

DOOR:

- 24 Ga. Galvanized steel (double skin)
- 1" [25.4mm] Thick Fiberglass Insulation

SEALS:

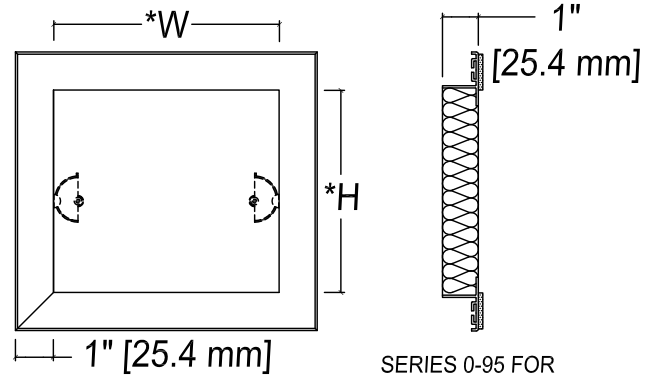
- 1/4" [6.35mm] thick high density urethane foam door seal (26lb/ft) (175°F)
- 2.2 lb. density Volara Cross-linked Polyolefin foam with high rubber based double sided adhesive on flange (200°F)

CAM LOCKS:

- CAMS (zinc plated) 12" [304.8mm] and under have two (2) locks
 Doors above 12" [304.8mm] thru 16" [406.4mm] have four (4) locks
 Doors over 16" [406.4mm] have eight (8) locks
- HINGED (alum. hinge) 12" [304.8mm] and under have one (1) lock
 Doors 12" [304.8mm] thru 16" [406.4mm] have two (2) locks
 Doors over 16" [406.4mm] have four (4) locks

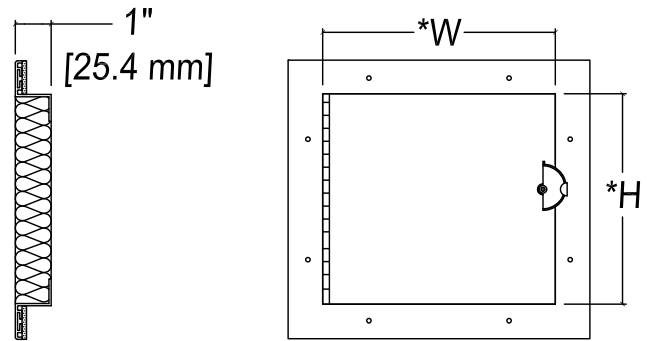
OPTIONS:

- All aluminum construction (zinc plated cams)
- All #304 Stainless Steel construction (including cams)
- #304 Stainless Steel Hinges
- All #316 Stainless Steel construction (#304 s.s. cams)
- Epoxy Coated (baked powder coated)
- Heresite coated (air dry)
- 1-1/2" [38.1mm] insulation and depth
- 2" [50.8 mm] insulation and depth
- Keyed Locks



CAMS SHOWN

SERIES 0-95 FOR OUTSIDE WRAP



SERIES L-95 FOR INTERNAL LINED DUCT

HINGED SHOWN

*W & H dim. = Actual Size (not undersized)

Due to continuing research United Energetech reserves the right to change specifications without notice.

Job Name:	<input type="checkbox"/> MODEL L-95 - C or H <input type="checkbox"/> C (cam) <input type="checkbox"/> H (hinged)		
Location:	<input type="checkbox"/> MODEL 0-95 - C or H <input type="checkbox"/> C (cam) <input type="checkbox"/> H (hinged)		
Architect:	DRAWN BY:	DATE:	REV. DATE:
Engineer:	CLJ	8-1-99	5-13-16
Contractor:	REV. NO.	APPROVED BY:	DWG. NO.:
	21	CLJ	J-1